



**M600  
AW-50  
5" Frame Depth  
Sliding Door**

## M600 SERIES SLIDING DOOR

The Quaker M600 Series Sliding door is ideal for a variety of applications including - Institutions, Education, High-Rise, Apartments, Energy Efficient and Assisted Living.

### FEATURES

- ◇ Commercial Framing System
  - 5" main frame
  - 3 5/8" sill height
  - 0.070 extruded wall thickness of frame
  - 0.062" extruded wall thickness of sash
  - Frames shipped K.D.
- ◇ Thermally Enhanced Design
  - Azon pour and debridge thermal break is 1/2" wide in all main frame and vent rail extrusions
  - Internal weep system for effective water damage
  - Steel Roller System
  - Mitered panels with heavy-duty corner keys
- ◇ Integral Nailing Fin
- ◇ Glazing
  - 1" tempered insulated glass
- ◇ Hardware
  - Heavy-duty steel rollers operate in stainless steel roller track, making operation easy and smooth
  - D-Loop Handle hardware (interior & exterior)
- ◇ Screen
  - Extruded aluminum screen frame with BetterVue™ mesh

### OPTIONS

- ◇ Available Configurations
  - Fixed-Active
  - Active-Fixed
  - Fixed-Active-Fixed
  - Fixed-Fixed-Active
  - Active-Fixed-Fixed
  - Fixed-Active-Active-Fixed
- ◇ Muntin Choices
  - Internal or simulated divided lites available
- ◇ Screen
  - Extruded aluminum screen frame with aluminum wire mesh
  - Extruded aluminum screen frame with sunscreen mesh
  - Extruded aluminum screen frame with stainless steel 0.009" thickness mesh
- ◇ Glazing
  - Up to 1 3/8" thickness of I.G. available
  - Variety of Energy-Efficient glass packages
  - Impact Glazing
  - Sound attenuation glazing packages for STC/OITC
- ◇ Hardware
  - Premium 2" roller system
  - Flush Handle hardware
- ◇ Panning & Trim Choices
  - Structural Transition mulls
  - Wide variety of panning, receptor and trim available

### BENEFITS

- ◇ The capacity to match exterior colors for unique project facades
- ◇ The ability to facilitate custom sizes for taller and wider door openings

### PERFORMANCE

- ◇ Structural & Thermal (test reports or thermal simulations available upon request)

Model	M600	
	Active-Fixed	Fixed-Active-Fixed
AAMA/WDMA/CSA 101/I.S.2/A440-08 Rating	AW50	
Structural Load P.S.F.	75	
Air at 50 MPH (cfm/ft <sup>2</sup> )	<0.01	
Water (No Penetration) P.S.F.	12.00	
U-Value (with standard glass pane thickness and various Low-E packages)	0.36-0.40	
SHGC (with standard glass pane thickness and various Low-E packages)	0.21-0.32	
Test size	123" x 95"	

Operating Force:  
(per ASTM E2068)

M300 Active-Fixed  
22 N (5 lbf) - Initiate Motion  
22 N (5 lbf) Maintain Motion  
9 N (2 lbf) (locks)

M600 Active-Fixed  
53 N (12 lbf) - Initiate Motion  
58 N (13 lbf) Maintain Motion  
18 N (4 lbf) (locks)

Performance numbers and AAMA Grade ratings shown are projected. Certification is in progress.

Our products are tested to the standards of and certified by the American Architectural Manufacturer's Association, the National Fenestration Rating Council and the Window & Door Manufacturers Association.

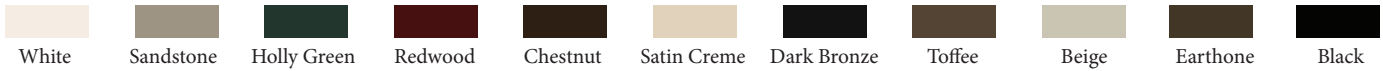


**QUAKER**  
COMMERCIAL WINDOWS AND DOORS

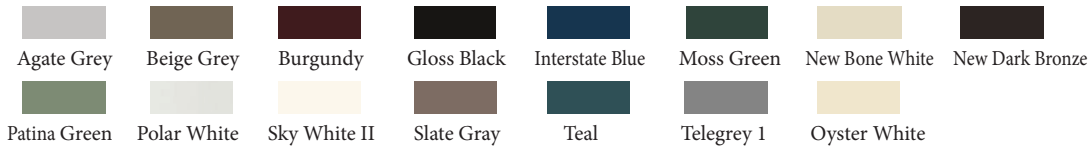
## ARCHITECTURAL PAINT COATINGS AND FINISHES

◇ Baked on powder coat finish meets ANSA/AAMA 2604 specs and is available in unlimited colors

- 11 Popular Colors



- 15 Impressive Colors



- 7 Resemble Colors (painted finish resembling anodized)



- Unlimited Custom Colors

◇ ANSA/AAMA 2605 powder coat finishes

◇ AAMA 611-98 Class I clear and tinted anodized finishes

\* Printed colors shown here may not accurately depict actual painted colors. Color samples are available upon request.

Our products are tested to the standards of and certified by the American Architectural Manufacturer's Association, the National Fenestration Rating Council and the Window & Door Manufacturers Association.



**QUAKER**  
COMMERCIAL WINDOWS AND DOORS

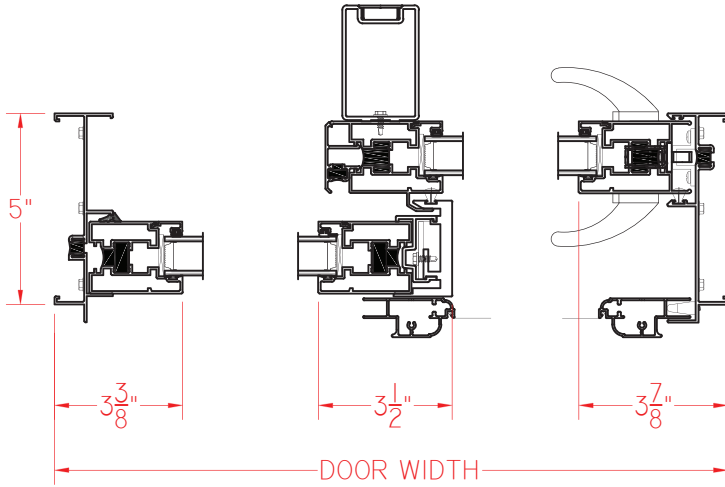


**QUAKER**  
COMMERCIAL WINDOWS AND DOORS

**M600  
AW-50  
5" Frame Depth  
Sliding Door**

**M600 SERIES SLIDING DOOR (FIXED/ACTIVE)**  
AS VIEWED FROM EXTERIOR

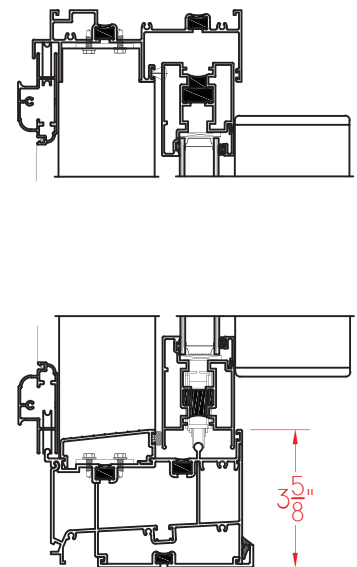
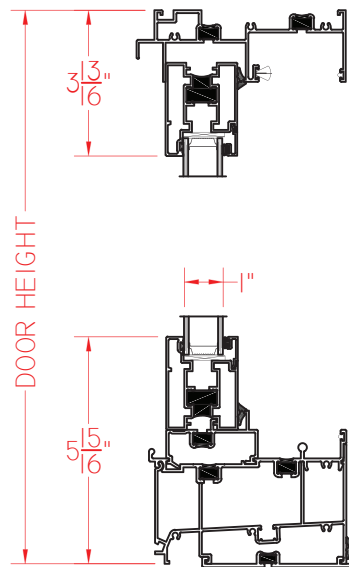
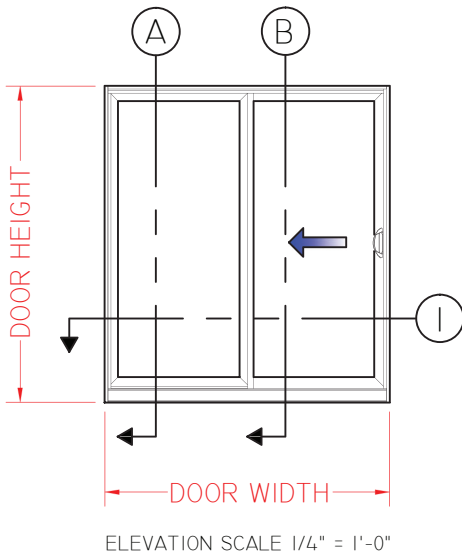
This document contains confidential and proprietary information intended for the private use of Quaker.  
© 2019 Quaker Window Products Co., INC. All rights reserved.  
Quaker reserves the right to change any/all designs without notice. Due to periodic re-certification requirements, result shown may vary.



① HORIZONTAL CROSS SECTION

① A VERTICAL CROSS SECTION

① B VERTICAL CROSS SECTION



SCALE 1:5

Our products are tested to the standards of and certified by the American Architectural Manufacturer's Association, the National Fenestration Rating Council and the Window & Door Manufacturers Association.

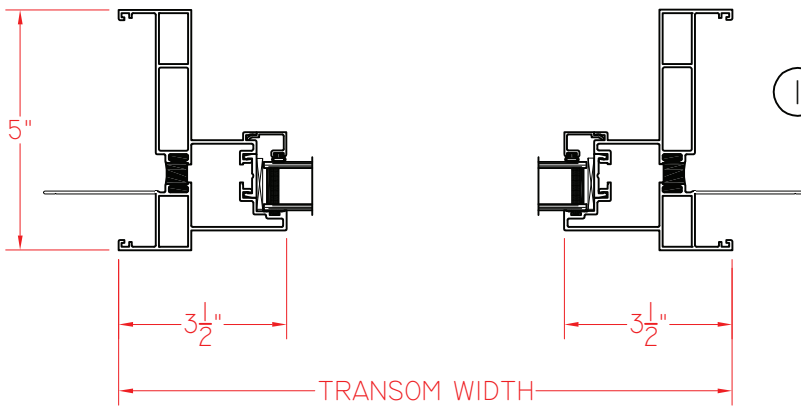


**QUAKER**  
COMMERCIAL WINDOWS AND DOORS

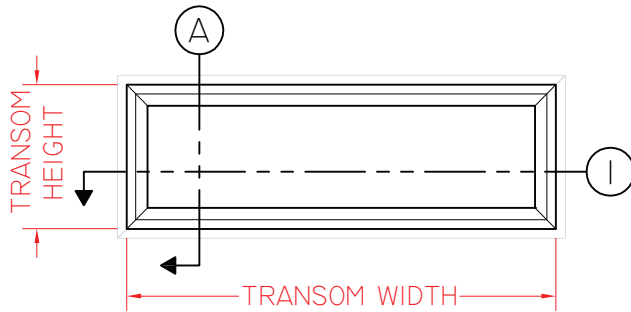


**M600 SERIES TRANSOM**

This document contains confidential and proprietary information intended for the private use of Quaker.  
© 2019 Quaker Window Products Co., INC. All rights reserved.  
Quaker reserves the right to change any/all designs without notice. Due to periodic re-certification requirements, result shown may vary.



① HORIZONTAL  
CROSS SECTION



ELEVATION SCALE 3/8" = 1'-0"

Ⓐ VERTICAL  
CROSS SECTION

