



**M600 Series
AW-PG70
3 1/4" Frame Depth
Picture Window (Fixed)**

M600 SERIES PICTURE WINDOW (FIXED)

The Quaker M600 Series Picture window is ideal for a variety of applications including - Multi-Family, Healthcare, Hotel, Education, Office and Assisted Living.

FEATURES

- ◇ Commercial Framing System
 - 3 1/4" main frame
 - Sealable corner keys
 - Crimp/Screw connections
 - 0.094" wall thickness of interior and exterior walls, 0.070" wall thickness elsewhere
- ◇ Enhanced Design
 - Azo-braided channel receives Azon pour and debridge thermal break which is 1/2" wide in all main frame and vent rail extrusions
 - Clean squared edges
 - 1 7/8" narrow sitalines
- ◇ Glazing
 - 1" insulated glass

OPTIONS

- ◇ Available Configurations
 - Wire frame capabilities
- ◇ Muntin Choices
 - Internal or simulated divided lites available
- ◇ Nailing Fin
- ◇ Glazing
 - Capillary tubes
 - Argon gas
 - Wide variety of glazing, tinting and thickness options
- ◇ Panning & Trim Choices
 - Wide variety of panning, receptor and trim available
 - Jamb filler
- ◇ Mulling
 - Wide variety of structural mulls

BENEFITS

- ◇ The capacity to match exterior colors for unique project facades
- ◇ The ability to facilitate large sizes for taller and wider window openings
- ◇ Modern appearance merged with superior structural integrity

PERFORMANCE

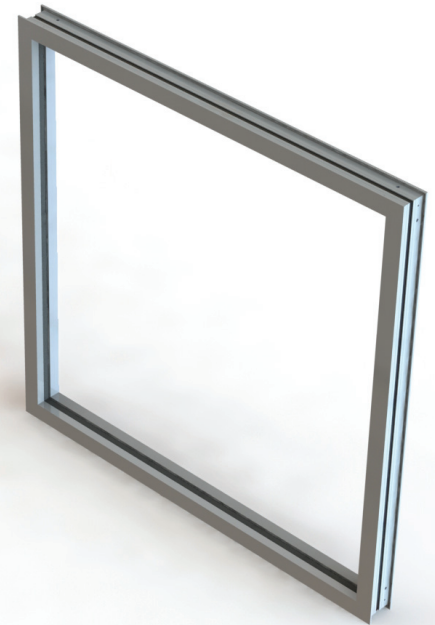
- ◇ Structural & Thermal

Model	Picture Window (Fixed)
AAMA/WDMA/CSA 101/IS.2/A440-08 Rating	AW-PG70-FW
Structural Load P.S.F.	70.18
Air at 50 MPH (cfm/ft ²)	0.01
Water (No Penetration) P.S.F.	12.11
CR (Condensation Resistance)	48-58
U-Value	0.26-0.31
SHGC	0.23-0.36

Window test size: 72" x 120" (with tempered glass)

Other tests performed using the following sizes: 60" x 60" (with 1/4", 1/4") = AW80
60" x 99" (with 1/4", 1/4") = AW50
48" x 120" (with 1/4", 1/4") = AW40

Thermal values shown are a range based on Quaker's most popular glass package options. Other available glass options may result in scores outside of the range shown.



Our products are tested to the standards of and certified by the American Architectural Manufacturer's Association, the National Fenestration Rating Council and the Window & Door Manufacturers Association.

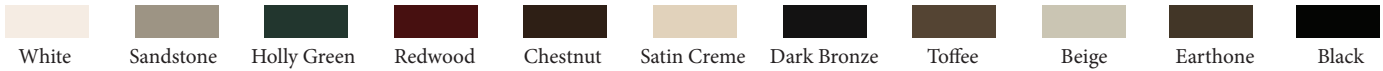


QUAKER
COMMERCIAL WINDOWS AND DOORS

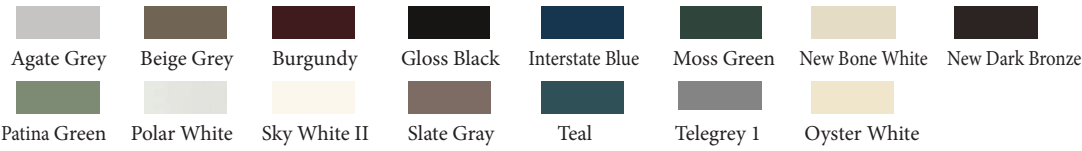
ARCHITECTURAL PAINT COATINGS AND FINISHES

◇ Baked on powder coat finish meets ANSA/AAMA 2604 specs and is available in unlimited colors

- 11 Popular Colors



- 15 Impressive Colors



- 7 Resemble Colors (painted finish resembling anodized)



- Unlimited Custom Colors

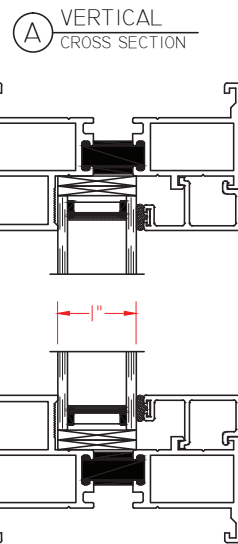
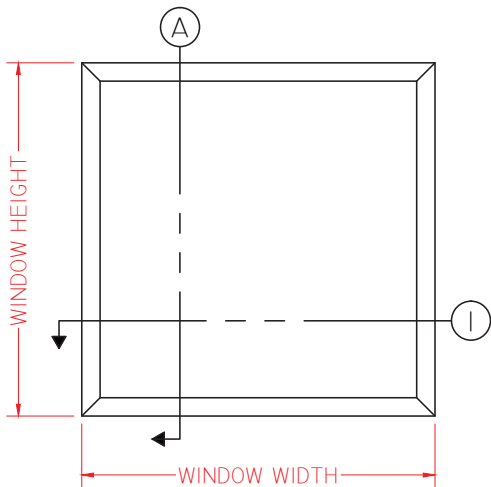
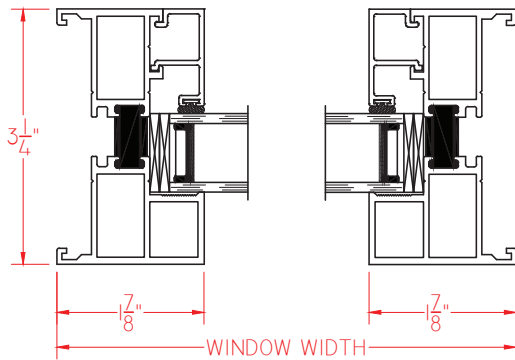
◇ ANSA/AAMA 2605 powder coat finishes

◇ AAMA 611-98 Class I clear and tinted anodized finishes

* Printed colors shown here may not accurately depict actual painted colors. Color samples are available upon request.

M600 SERIES PICTURE WINDOW WITHOUT NAILING FIN

This document contains confidential and proprietary information intended for the private use of Quaker.
 © 2016 Quaker Window Products Co., INC. All rights reserved.
 Quaker reserves the right to change any/all designs without notice. Due to periodic re-certification requirements, result shown may vary.



ELEVATION SCALE 3/4" = 1'-0"

Our products are tested to the standards of and certified by the American Architectural Manufacturer's Association, the National Fenestration Rating Council and the Window & Door Manufacturers Association.



QUAKER
COMMERCIAL WINDOWS AND DOORS



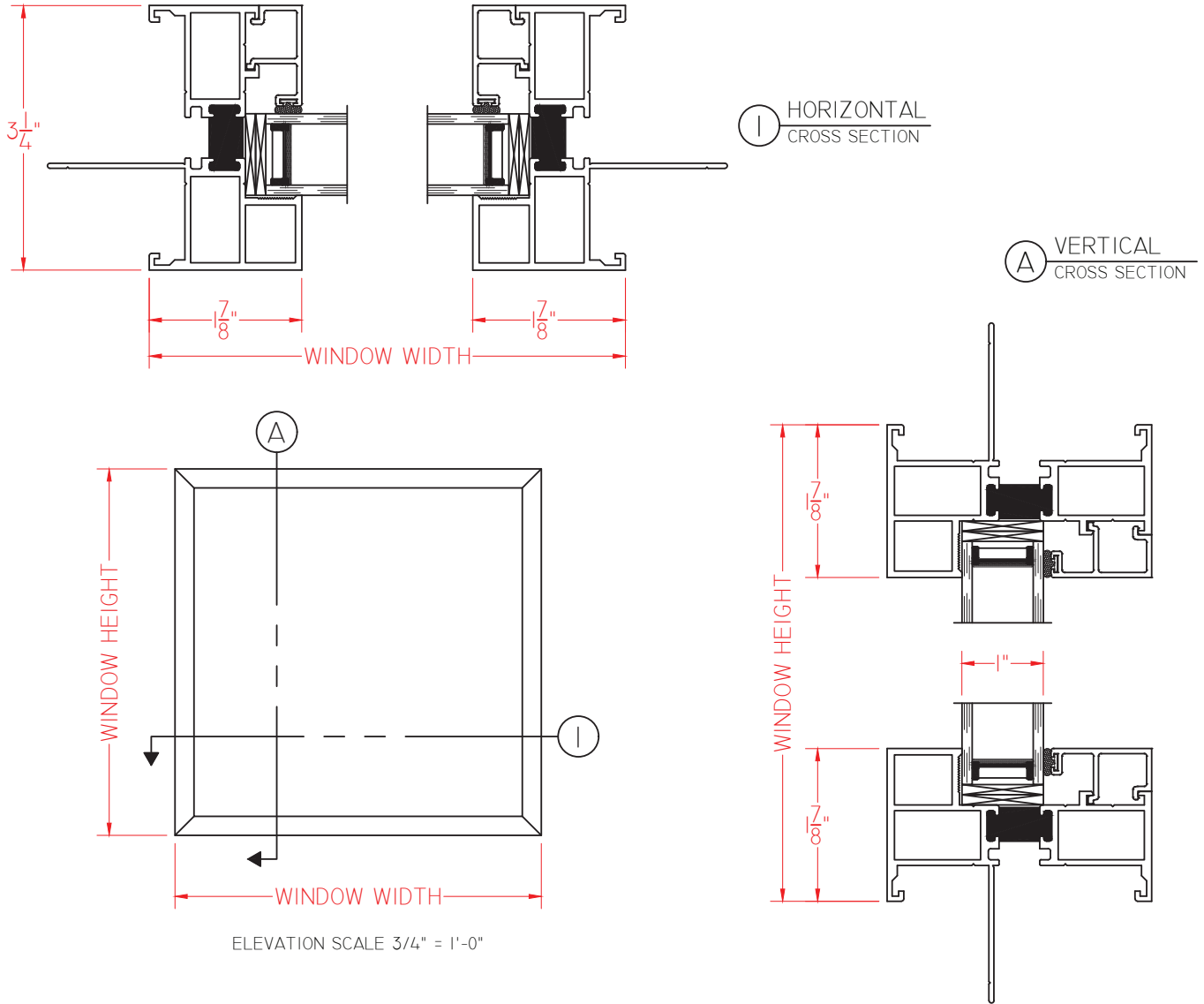
QUAKER
COMMERCIAL WINDOWS AND DOORS



**M600 Series
AW-PG70
3 1/4" Frame Depth
Picture Window (Fixed)**

M600 SERIES PICTURE WINDOW WITH NAILING FIN

This document contains confidential and proprietary information intended for the private use of Quaker.
© 2016 Quaker Window Products Co., INC. All rights reserved.
Quaker reserves the right to change any/all designs without notice. Due to periodic re-certification requirements, result shown may vary.



Our products are tested to the standards of and certified by the American Architectural Manufacturer's Association, the National Fenestration Rating Council and the Window & Door Manufacturers Association.



QUAKER
COMMERCIAL WINDOWS AND DOORS



QUAKER
COMMERCIAL WINDOWS AND DOORS

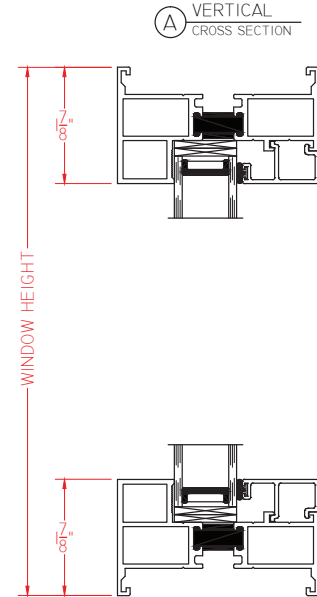
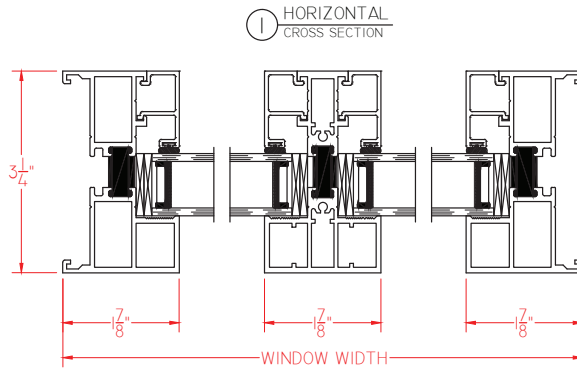
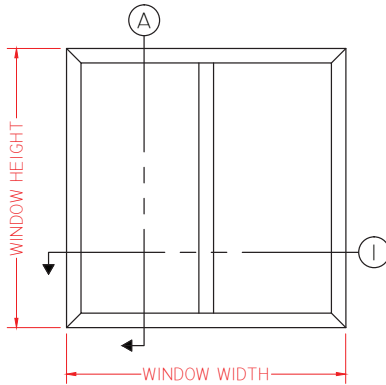


**M600 Series
AW-PG70
3 1/4" Frame Depth
Picture Window (Fixed)**

M600 SERIES PICTURE WINDOW (FIXED/FIXED - SIDE BY SIDE)

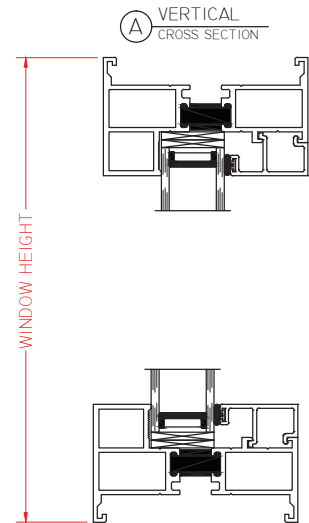
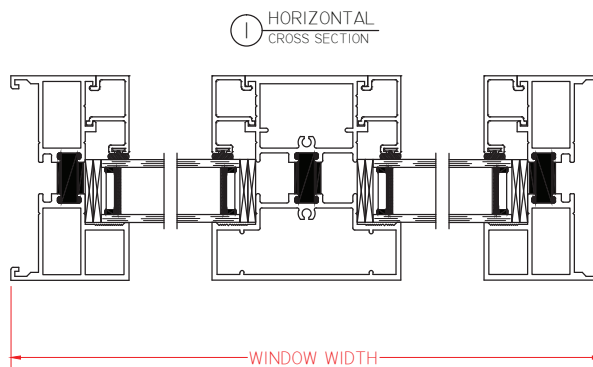
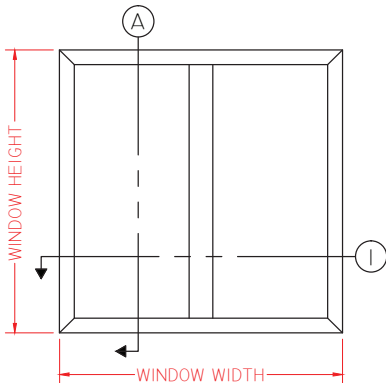
Double Jamb with Narrow 1 7/8" Sightline

This document contains confidential and proprietary information intended for the private use of Quaker.
© 2016 Quaker Window Products Co., INC. All rights reserved.
Quaker reserves the right to change any/all designs without notice. Due to periodic re-certification requirements, result shown may vary.



SCALE 1:2

Double Jamb with Wide 3" Sightline



SCALE 1:2

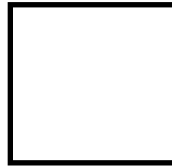
Our products are tested to the standards of and certified by the American Architectural Manufacturer's Association, the National Fenestration Rating Council and the Window & Door Manufacturers Association.



QUAKER
COMMERCIAL WINDOWS AND DOORS



QUAKER
COMMERCIAL WINDOWS AND DOORS



**M600 Series
AW-PG70
3 1/4" Frame Depth
Picture Window (Fixed)**

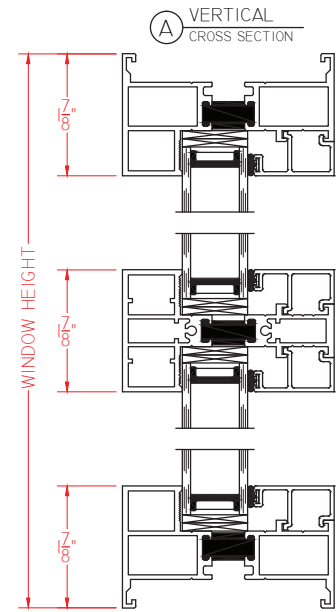
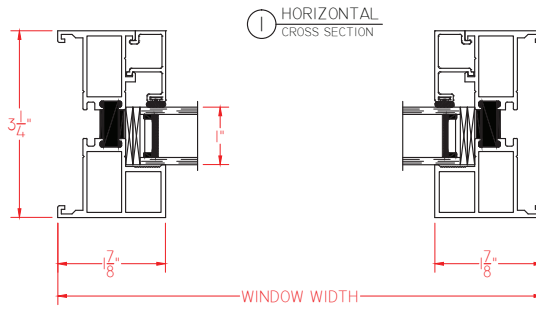
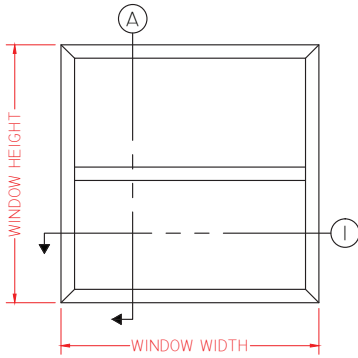
M600 SERIES PICTURE WINDOW (FIXED/FIXED - STACKED)

Double Jamb with Narrow 1 7/8" Sightline

This document contains confidential and proprietary information intended for the private use of Quaker.

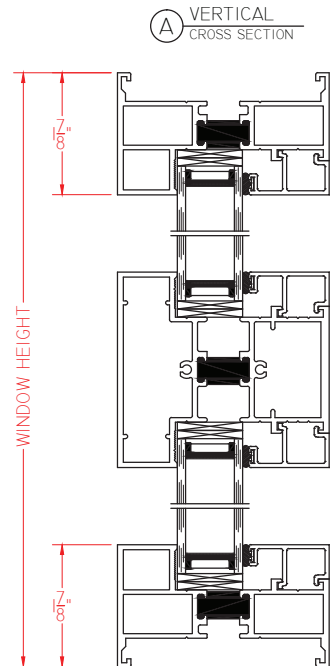
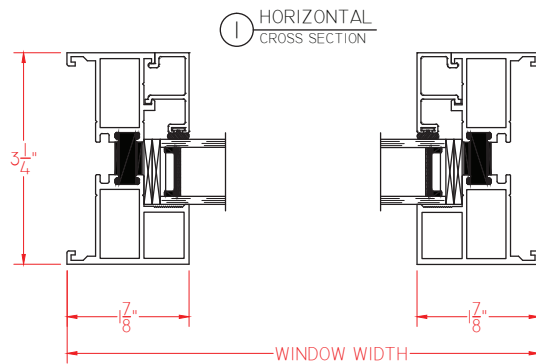
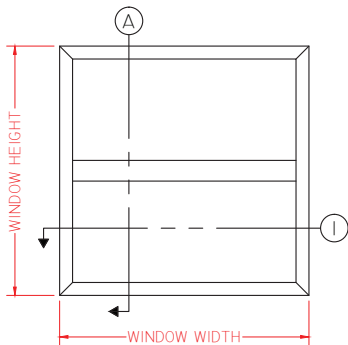
© 2016 Quaker Window Products Co., INC. All rights reserved.

Quaker reserves the right to change any/all designs without notice. Due to periodic re-certification requirements, result shown may vary.



SCALE 1:2

Double Jamb with Wide 3" Sightline



SCALE 1:2

Our products are tested to the standards of and certified by the American Architectural Manufacturer's Association, the National Fenestration Rating Council and the Window & Door Manufacturers Association.



QUAKER
COMMERCIAL WINDOWS AND DOORS