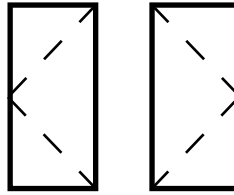




QUAKER
COMMERCIAL WINDOWS AND DOORS



**M600 Series
AW-PG70
3 1/4" Frame Depth
Casement (Project-Out)**

M600 SERIES CASEMENT (PROJECT-OUT)

The Quaker M600 Series Casement window is ideal for a variety of applications including - Multi-Family, Healthcare, Hotel, Education, Office and Assisted Living.

FEATURES

- ◇ Commercial Framing System
 - 3 1/4" main frame
 - Sealable corner keys
 - Crimp/Screw connections
 - 0.094" wall thickness of interior and exterior walls, 0.070" wall thickness elsewhere
- ◇ Enhanced Design
 - Azo-braided channel receives Azon pour and debridge thermal break which is 1/2" wide in all main frame and vent rail extrusions
 - Clean squared edges
 - 3" narrow sitalines
- ◇ With or Without Integral Nailing Fin
- ◇ Glazing
 - 1" insulated glass
- ◇ Hardware
 - Heavy-commercial Truth Contour™ locking system (Crank-out only)
 - Low profile cam handle (Push-out only)
 - Crank-out available (4-Bar hinges or butt hinges)
 - Push-out available (4-Bar hinges)
- ◇ Screen
 - Standard screens (Crank-out only)
- ◇ Meets ADA Requirements (ADA Handle Required, Crank-out only)

OPTIONS

- ◇ Available Configurations
 - Project-out Casement
 - Push-out or Crank-out (Left or Right)
 - Wire frame capabilities
- ◇ Muntin Choices
 - Internal or simulated divided lites available
- ◇ Limited travel hardware
- ◇ Glazing
 - Capillary tubes
 - Argon gas
 - Wide variety of glazing, tinting and thickness options
- ◇ Panning & Trim Choices
 - Wide variety of panning, receptor and trim available
- ◇ Mulling
 - Wide variety of structural mulls

BENEFITS

- ◇ The capacity to match exterior colors for unique project facades
- ◇ The ability to facilitate large sizes for taller and wider window openings
- ◇ Modern appearance merged with superior structural integrity

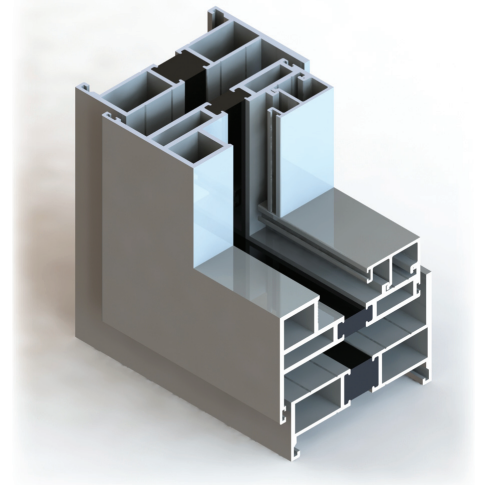
PERFORMANCE

- ◇ Structural & Thermal

Model	Casement (Project-Out)
AAMA/WDMA/CSA 101/I.S.2/A440-08 Rating	AW-PG70-C
Structural Load P.S.F.	70.18
Air at 50 MPH (cfm/ft ²)	0.01
Water (No Penetration) P.S.F.	12.11
CR (Condensation Resistance)	45-48
U-Value	0.39-0.43
SHGC	0.19-0.29

Window test size: 48" x 84" Operating Force: 6 lbf (maintain motion), 8 lbf (latches), 3 lbf (ADA Handle)

Thermal values shown are a range based on Quaker's most popular glass package options. Other available glass options may result in scores outside of the range shown.



Our products are tested to the standards of and certified by the American Architectural Manufacturer's Association, the National Fenestration Rating Council and the Window & Door Manufacturers Association.

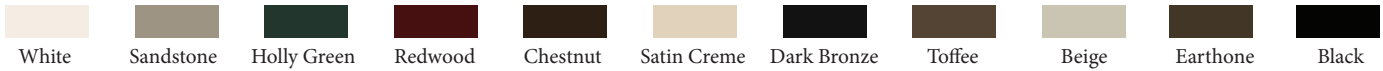


QUAKER
COMMERCIAL WINDOWS AND DOORS

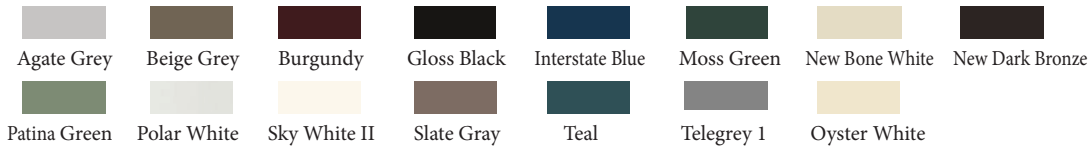
ARCHITECTURAL PAINT COATINGS AND FINISHES

◇ Baked on powder coat finish meets ANSA/AAMA 2604 specs and is available in unlimited colors

- 11 Popular Colors



- 15 Impressive Colors



- 7 Resemble Colors (painted finish resembling anodized)



- Unlimited Custom Colors

◇ ANSA/AAMA 2605 powder coat finishes

◇ AAMA 611-98 Class I clear and tinted anodized finishes

* Printed colors shown here may not accurately depict actual painted colors. Color samples are available upon request.

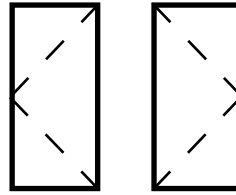
Our products are tested to the standards of and certified by the American Architectural Manufacturer's Association, the National Fenestration Rating Council and the Window & Door Manufacturers Association.



QUAKER
COMMERCIAL WINDOWS AND DOORS



QUAKER
COMMERCIAL WINDOWS AND DOORS

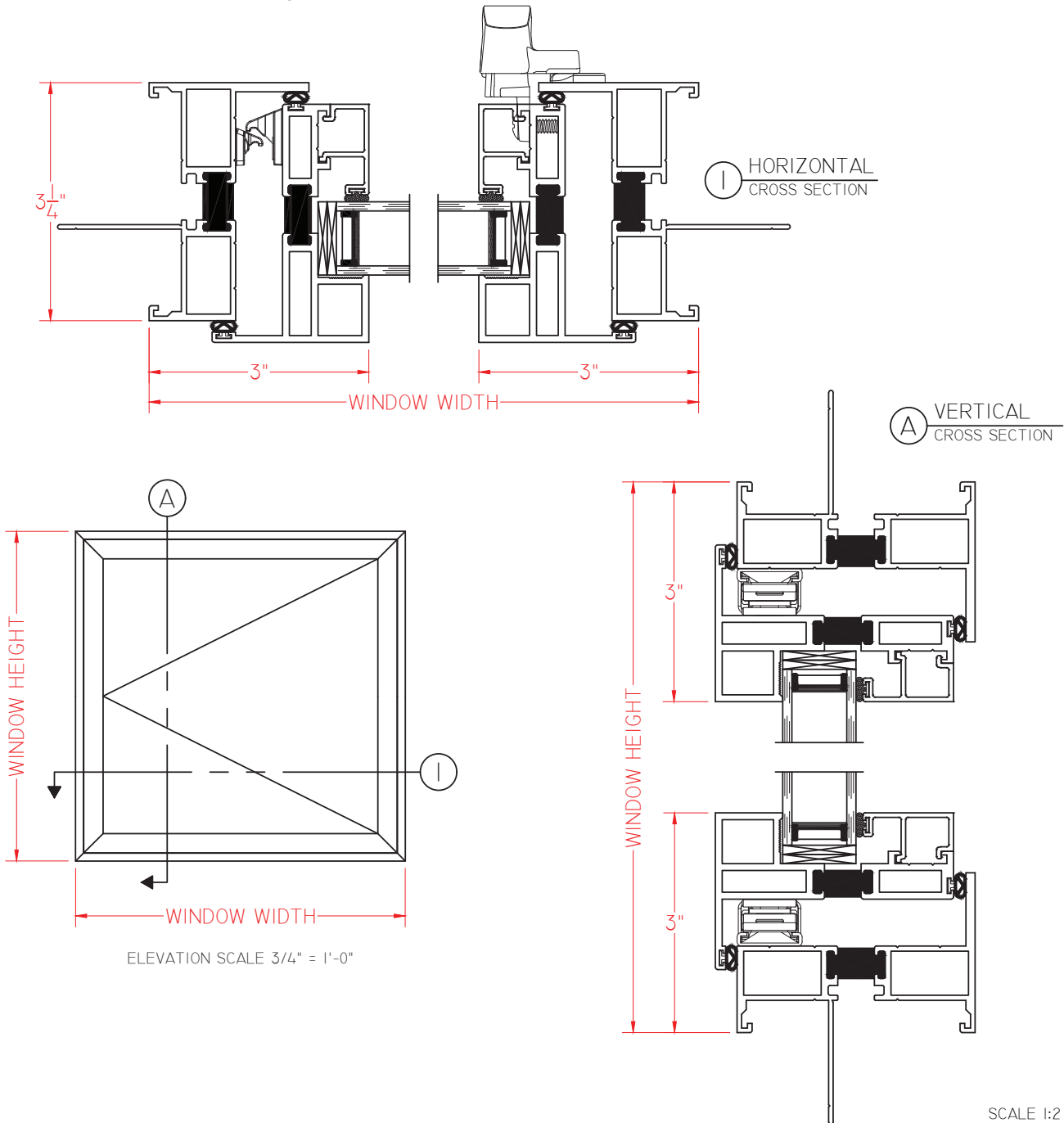


**M600 Series
AW-PG70
3 1/4" Frame Depth
Casement (Project-Out)**

M600 SERIES CASEMENT (PROJECT-OUT) PUSH OUT

Shown With Nailing Fin

This document contains confidential and proprietary information intended for the private use of Quaker.
© 2016 Quaker Window Products Co., INC. All rights reserved.
Quaker reserves the right to change any/all designs without notice. Due to periodic re-certification requirements, result shown may vary.



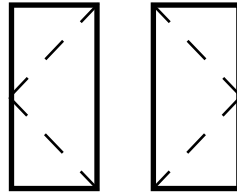
Our products are tested to the standards of and certified by the American Architectural Manufacturer's Association, the National Fenestration Rating Council and the Window & Door Manufacturers Association.



QUAKER
COMMERCIAL WINDOWS AND DOORS



QUAKER
COMMERCIAL WINDOWS AND DOORS

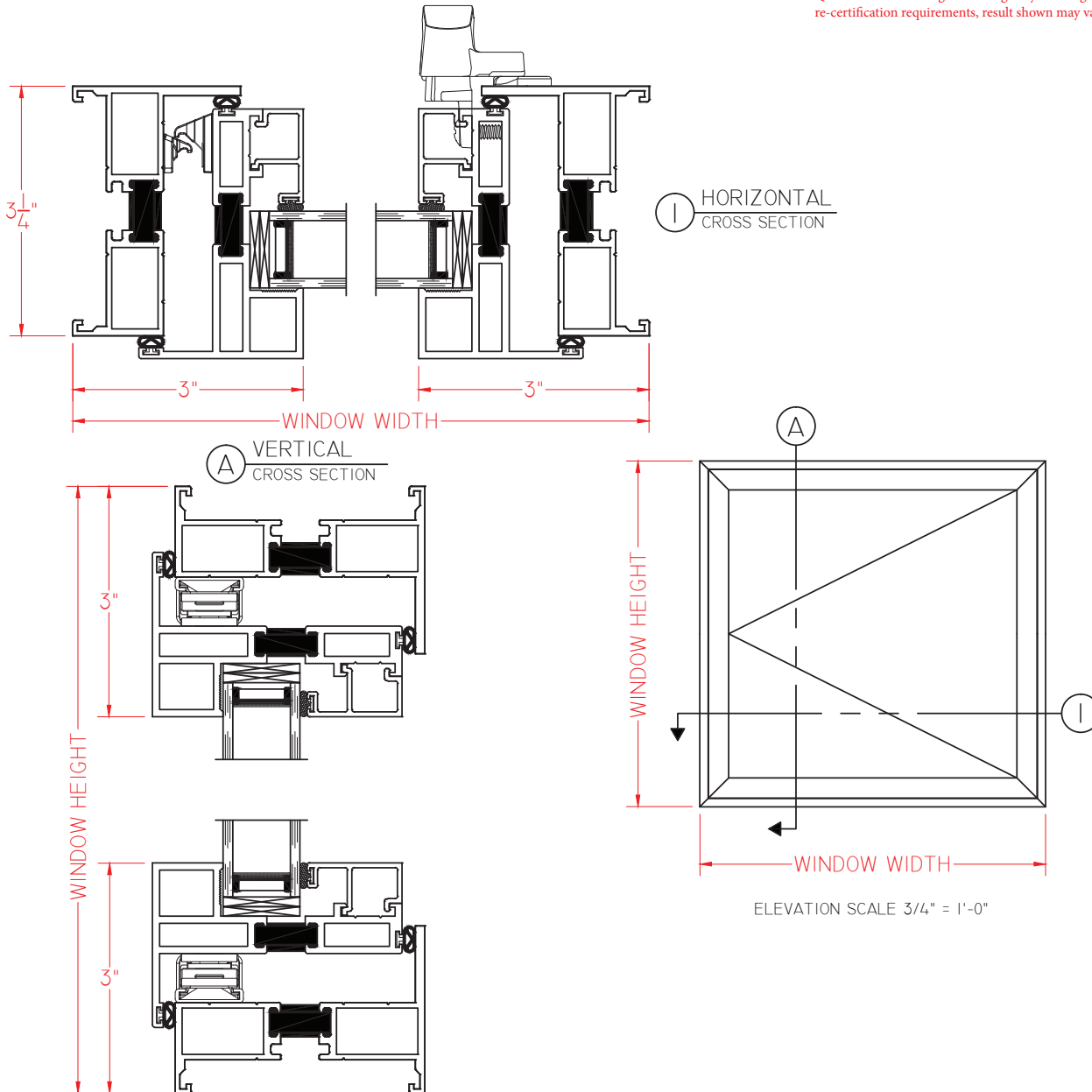


**M600 Series
AW-PG70
3 1/4" Frame Depth
Casement (Project-Out)**

M600 SERIES CASEMENT (PROJECT-OUT) PUSH OUT

Shown With No Nailing Fins

This document contains confidential and proprietary information intended for the private use of Quaker.
© 2016 Quaker Window Products Co., INC. All rights reserved.
Quaker reserves the right to change any/all designs without notice. Due to periodic re-certification requirements, result shown may vary.



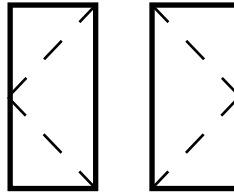
Our products are tested to the standards of and certified by the American Architectural Manufacturer's Association, the National Fenestration Rating Council and the Window & Door Manufacturers Association.



QUAKER
COMMERCIAL WINDOWS AND DOORS



QUAKER
COMMERCIAL WINDOWS AND DOORS

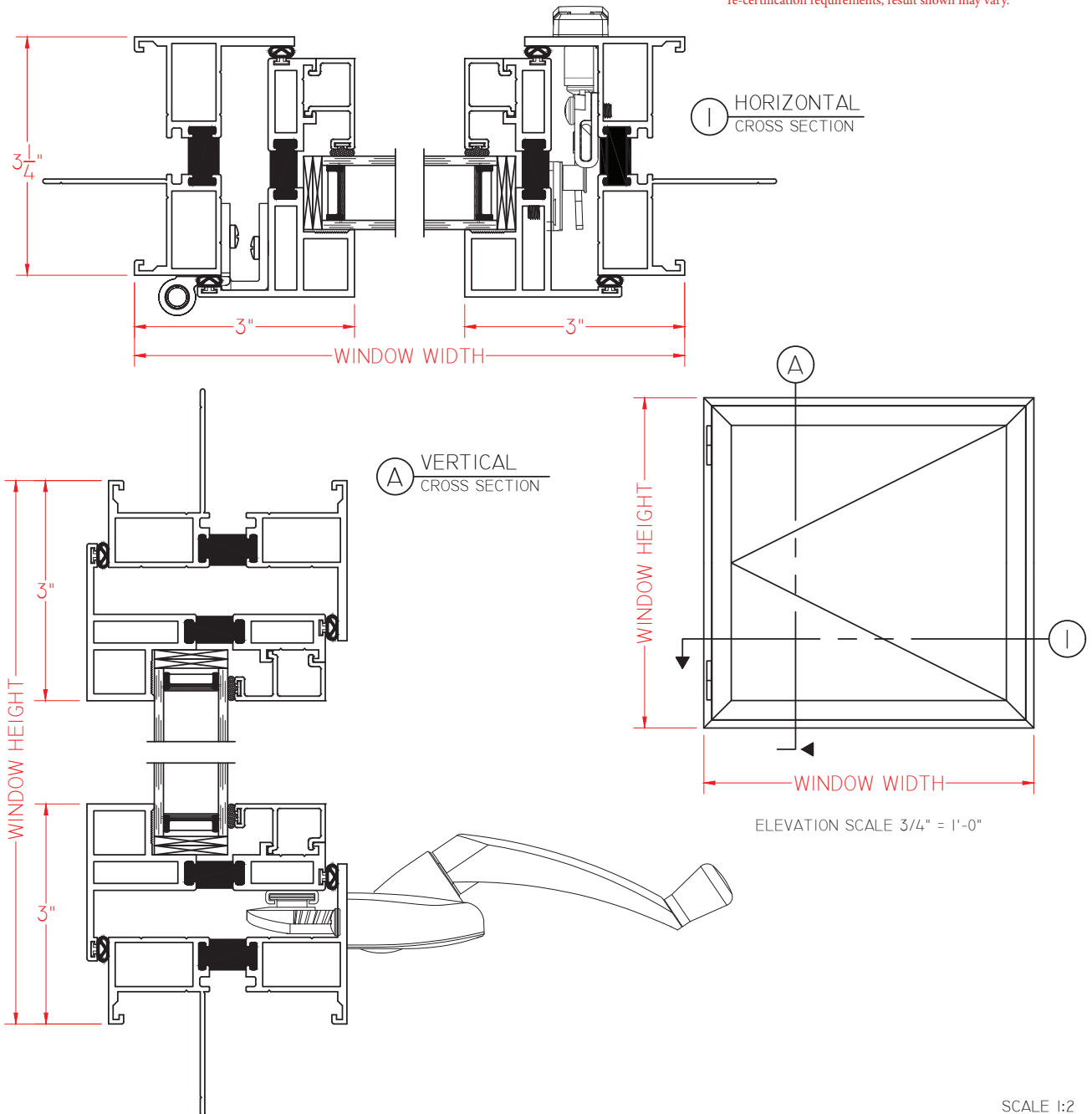


**M600 Series
AW-PG70
3 1/4" Frame Depth
Casement (Project-Out)**

M600 SERIES CASEMENT (PROJECT-OUT) CRANK OUT

Shown With Nailing Fins

This document contains confidential and proprietary information intended for the private use of Quaker.
© 2016 Quaker Window Products Co., INC. All rights reserved.
Quaker reserves the right to change any/all designs without notice. Due to periodic re-certification requirements, result shown may vary.



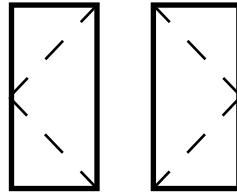
Our products are tested to the standards of and certified by the American Architectural Manufacturer's Association, the National Fenestration Rating Council and the Window & Door Manufacturers Association.



QUAKER
COMMERCIAL WINDOWS AND DOORS



QUAKER
COMMERCIAL WINDOWS AND DOORS

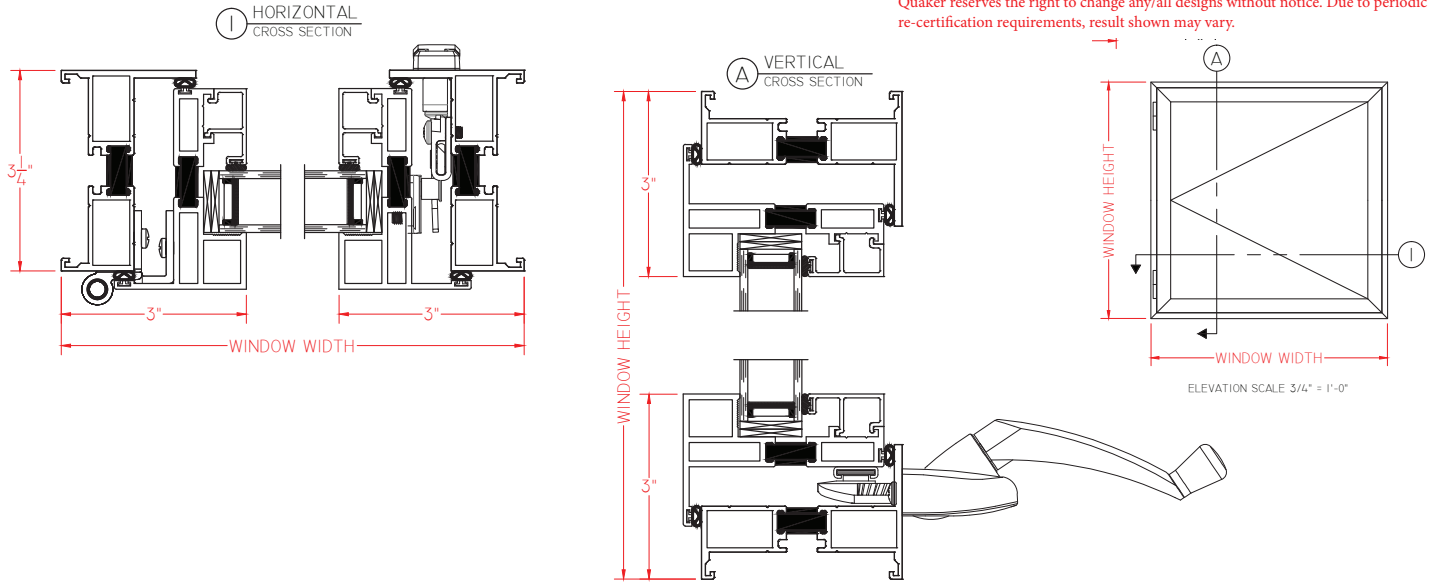


**M600 Series
AW-PG70
3 1/4" Frame Depth
Casement (Project-Out)**

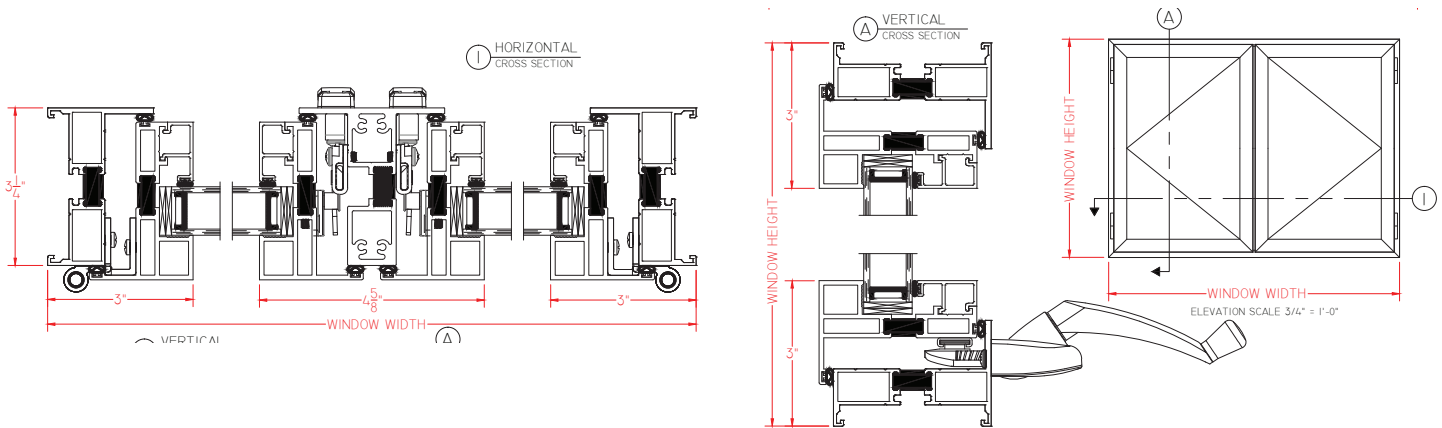
M600 SERIES CASEMENT (PROJECT-OUT) CRANK OUT

Shown With No Nailing Fins

This document contains confidential and proprietary information intended for the private use of Quaker.
© 2016 Quaker Window Products Co., INC. All rights reserved.
Quaker reserves the right to change any/all designs without notice. Due to periodic re-certification requirements, result shown may vary.



CASEMENT/CASEMENT - Shown With No Nailing Fins



Our products are tested to the standards of and certified by the American Architectural Manufacturer's Association, the National Fenestration Rating Council and the Window & Door Manufacturers Association.



QUAKER
COMMERCIAL WINDOWS AND DOORS